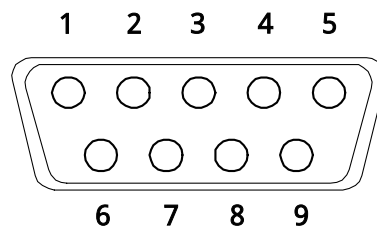


1 . Pin number at connector and signal

Pin #	Signal	Input/Output	Functions
1			N/A
2	R A	Input	Receiving data A
3	T A	Output	Transmission data A
4			N/A
5	G N D		Signal ground
6			N/A
7	T B	Output	Transmission data B
8	R B	Input	Receiving data B
9			N/A



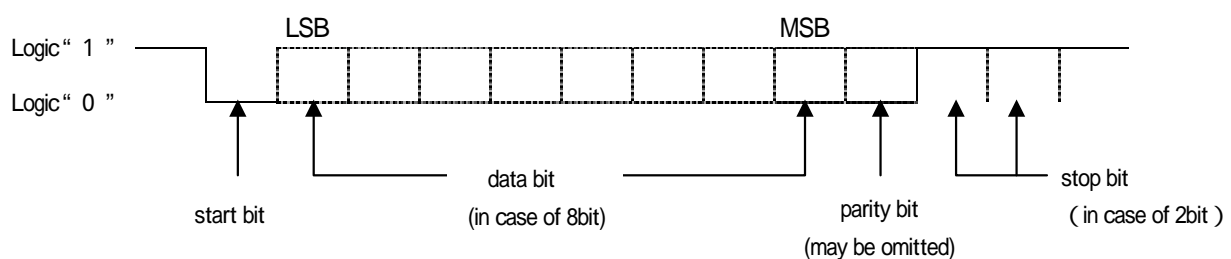
D - S U B 9 P mail connector : panel at rear-side

Caution

Always unplug the AC adaptor before connecting.

2 . Interface specifications

- 2 - 1 transmission method serial data transmission, random access
- 2 - 2 transmission speed 1200/2400/4800/9600/19200 bps
- 2 - 3 transmission code A S C I I code (8 / 7 bit)
- 2 - 4 signal level based on EIA RS-422A
- 2 - 5 Contents of a word a character bit start bit 1 bit
 data bit 8/7 bit
 (7bits available only in extended 7 digits format)
 parity bit 0/1 bit
 stop bit 2/1 bit
 (1bit available only in extended 7 digits format)
- 2 - 6 Parity bit nil / odd / even



3 . Output data format

Refer to “output data” in 11 4 of the HJ-K/HJR-K series operations manual

4 . Input data format

Refer to “Input command” in 11-5 of the HJ-K/HJR-K series operation manual

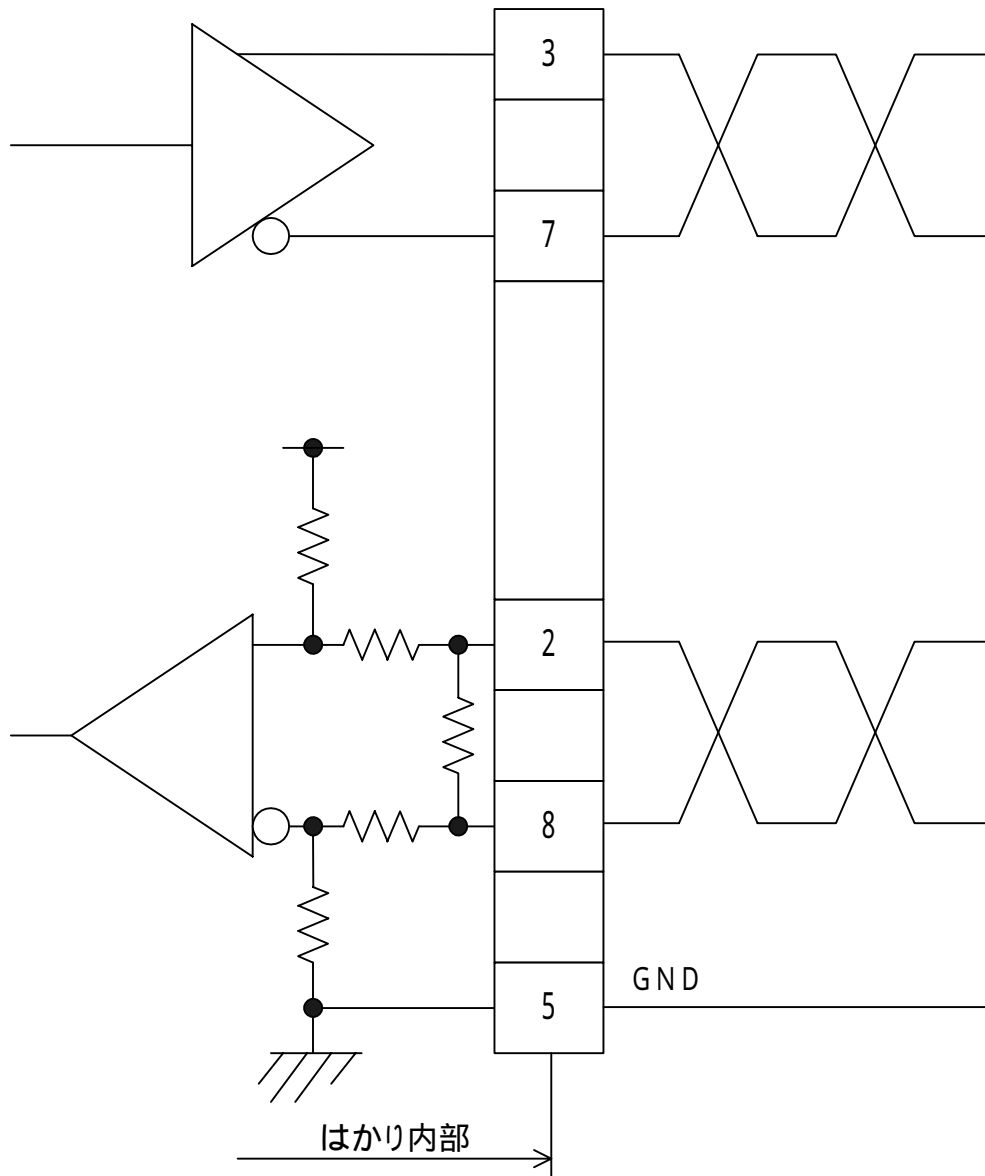
5. Function setting in the balance

Item	Set Value	Description
Interface	E 1 F.	0 No input/output
		1 Numeric 6-digit format
		2 Numeric 7-digit format
		3 Extended 7-digit format
Output control	E 1 O.C.	0 No output
		1 Output continuously at all times
		2 Output continuously if stable (No output if unstable)
		3 Output once when the Print key is pressed (whether the balance is stable or unstable)
		4 Output once when the balance is stable. Output when a substance is lifted to cause the display to indicate a value below 0, and then another substance is put on to make the balance stable.
		5 Output once when the balance is stable. Stop output when unstable output once when the balance is stabilized again even if it is not reloaded (the output includes zero)
		6 Output once when the balance is stable output continuously when unstable output is stopped after a single output when the balance is stable even if it is not reloaded
		7 Output once when the Print key is pressed if the balance is stable. A Output once immediately after a specified interval. b Output once immediately after a specified interval if the balance is stable.
Baud rate	E 2 B.L.	1 1 2 0 0 b p s
		2 2 4 0 0 b p s
		3 4 8 0 0 b p s
		4 9 6 0 0 b p s
		5 1 9 2 0 0 b p s
Parity	E 3 P.R.	0 None
		1 Odd
		2 Even
Data length	E 4 d.L.	0 7 bits
		1 8 bits
Stop bits	E 5 S.t.	1 1 bit
		2 2 bits
Unused high order digit	E 6 u.r.	0 Embed 0 (30H)
		1 Embed (20H)
Response commands	E 7 E.S.	1 Use 'A 0 0' and 'E x x'
		2 Use 'A C K' and 'N A K'

indicates factory setting

data interval in constant output is approximately 0 . 1 ~ 1 seconds (depending on the weighing condition)

6 . Schematic at input



Using twisted pair cable is recommended for counter measurement against noise.