

\*\*\*\*\*  
\*  
\* HJ-K series \*  
\* Under-weighing hook \*  
\* User's Manual \*  
\*  
\*\*\*\*\*

## Introduction

Thank you for purchasing under-weighing hook for the HJ-K series.

This is for under-weighing used for HJ-K series.

Read this instruction carefully.

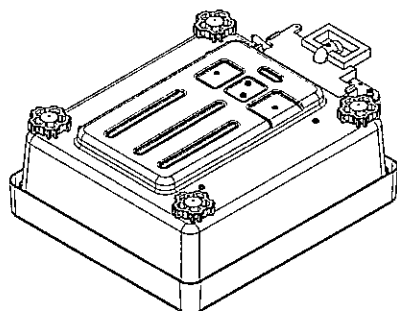
## 1. Components

Components	Qty.
HJ-K under-weighing hook	1
Spacer	1
User's manual	1

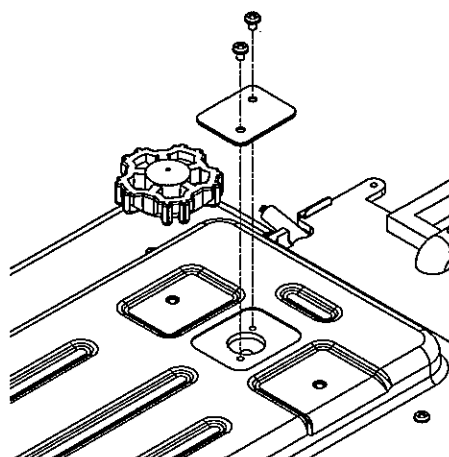
## 2. Installation

### ① up-side down the HJ-K weighing unit

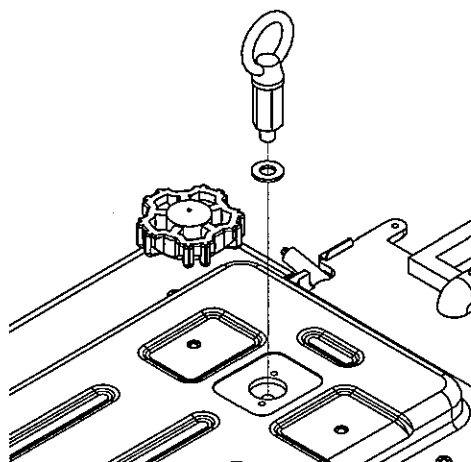
For balance with pole (pole type), take care of the pole not to be damaged. You may lay down on the weighing unit, or remove the pole before up-side down the unit



### ② Remove the under-weighing cover



### ③ Put a spacer and install the hook by screwing.



### 3. Adjusting under-weighing pan

① Hang an under weighing-pan on the hook.

② Turn on power of the balance.

③ When u-Err occurs

→ Weighing pan is too light. Use more heavy under-weighing pan. If you have removed the top-loading pan, to install it back could solve.

④ When NET is displayed

→ This indicates that the weighing range is reduced and we cannot weigh up to the full capacity. Reduce the (total) weight of weighing pan(s) by using lighter under-weighing pan or by removing top loading pan.

⑤ When the display of "  $\square \square \square$  " is as the blinks and doesn't change into the weight display (HJ-KCE series only).

→ The under weighing-pan is too heavy. It removes, Use lighter under-weighing pan, or use heavier under-weighing pan by removing a top-loading pan.

### 4. Span adjustment

When usually using with the under weighing-pan, adjust a span using the under weighing-pan.

But, When NET is displayed in the above "3. Adjusting under-weighing pan", remark the following A & B when span adjustment/span test (see operation manual for the balance) is performed.

A. When span adjustment (auto span adjustment) /span test in performed with internal calibration weight

If "  $\square - E r r$  " appears, span adjustment (auto span adjustment) /span test is not possible, because the under weighing pan is too heavy. Do such adjustment or test by removing the under weighing pan, or by external weight.

B. When span adjustment /span test in performed with external weight

When NET is displayed, weighing range is reduced and we cannot weigh up to the full capacity. In this case, use external weight having 50% or more of the full capacity and less enough not to show "  $\square - E r r$  " for such adjustment or test.

※In the HJ-KCE series, it is possible to do span adjustment with external weight only in case of lock switch off.

### 5. Other cautions

- When an under weighing hook is installed, do not place the balance on the flat surface. The hook may be broken, or the balance is damaged.